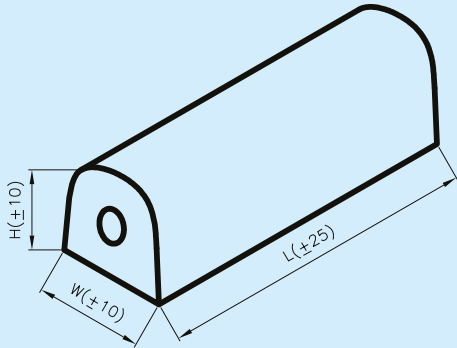


## SACRIFICIAL MAGNESIUM ANODE

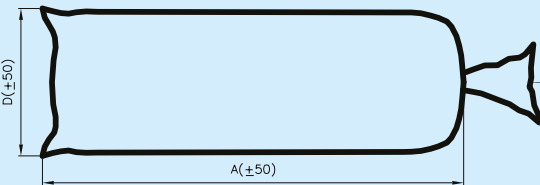
### SACRIFICIAL ANODE



*Magnesium Anode*



*Bare Anode*



*Packaged Anode*

#### Information

Magnesium Anodes are applied in high resistivity like soil, potable water etc. Standard Magnesium Anodes are available in variety of sizes and weight.

#### High Potential Magnesium Anodes

FEATURES : Produces high driving voltage compared to other Galvanic Anode.

APPLICATIONS : At high resistivity or high current requirement. Buried Structures in soil of high resistivity such as pipe lines, Storage Tanks etc in soil.

#### Standard Magnesium Anodes

FEATURES : Produces low driving voltage compared to high potential type.

APPLICATIONS : This type of Anode is useful when the current requirement of the system is less.

#### Extruded Magnesium Anodes

FEATURES: Influences larger structure surface uniformly produces greater amount of current than Cast Anodes.

APPLICATIONS : Structures buried or submerged in comparatively high resistivity electrolytes.

#### CHEMICAL COMPOSITION(%)

Product	Mg	Al	Zn	Mn	Si	Cu	Ni	Fe	Other Imp(max)	
					Max	Max	Max	Max	Each	Total
HM	Balance	0.01 max	-	0.5-1.3	0.05	0.002	0.001	0.03	0.05	0.3
SM	Balance	5.3-6.7	2.5 -3.5	0.15-0.7	0.10	0.002	0.002	0.003	-	0.3
EM	Balance	0.01 max	-	0.5-1.3	-	0.002	0.001	0.03	-	0.3

#### ELECTRO CHEMICAL PROPERTIES

	Open-Circuit Volt (-v respect to Cu/CuSO <sub>4</sub> )	Closed-Circuit Volt (-v respect to Cu/CuSO <sub>4</sub> )	Actual capacity at 50% efficiency (Ahr/Kg)	Current Efficiency(%)
HM	1.7 - 1.77	1.59 - 1.63	1105 min	>50
SM	1.57 - 1.62	1.52 - 1.57	1115 min	>50
EM	1.7 - 1.77	1.59 - 1.63	1105 min	>50

#### DIMENSIONAL & WEIGHT TABLE

##### HIGH POTENTIAL MAGNESIUM ANODE

Model No.	Weight (Kg)	Anode Dimensions				
		L Inch (mm)	A Inch (mm)	D Inch (mm)	H Inch (mm)	W Inch (mm)
BTMG30H	1.4	4.5(114)	6.5(165)	6(152)	3(76)	3(76)
BTMG50H	2.3	7.5(191)	13.5(343)	6(152)	3(76)	3(76)
BTMG90H-1	4.1	27(686)	31(787)	5(127)	2(51)	2(51)
BTMG90H-2	4.1	13.5(343)	17(432)	6(152)	3(76)	3(76)
BTMG170H-1	7.7	51(1295)	55(1397)	5(127)	2(51)	2(51)
BTMG170H-2	7.7	25.5(648)	30(762)	6(152)	3(76)	3(76)
BTMG200H	9.1	60(1524)	62.5(1588)	5(127)	2(51)	2(51)
BTMG320H-1	14.5	45(1143)	61(1549)	6(152)	3(76)	3(76)
BTMG320H-2	14.5	21(533)	30(762)	8(203)	5(127)	5(127)
BTMG400H	18.1	60(1524)	64(1626)	6(152)	3(76)	3(76)
BTMG480H	21.8	31(787)	34(864)	8(203)	5(127)	5(127)
BTMG600H	27.2	60(1524)	64(1626)	6.75(171)	4(102)	4(102)

##### EXTRUDED MAGNESIUM ANODE

Section (Inch)	3/8x3/4±0.015
Diameter of core (Inch)	0.135
Core eccentric	<1/16
Weight (lbs / feet)	0.243
Standard coil length (feet)	1000
Coil weight	110